



2Slide

Wardrobe sliding door system

The 2Slide provides a smooth sliding solution that can carry a maximum door weight of 50kg. 2Slide is a double track, bypassing system enabling multiple doors to slide behind each other.

Featuring a silent mechanism, locking system and in-rail damper, the 2Slide is a durable, smooth and dependable sliding solution.



Maximum door panel weight of 50kg.



Featuring high quality components



Full technical support



Adjustable sliding solution

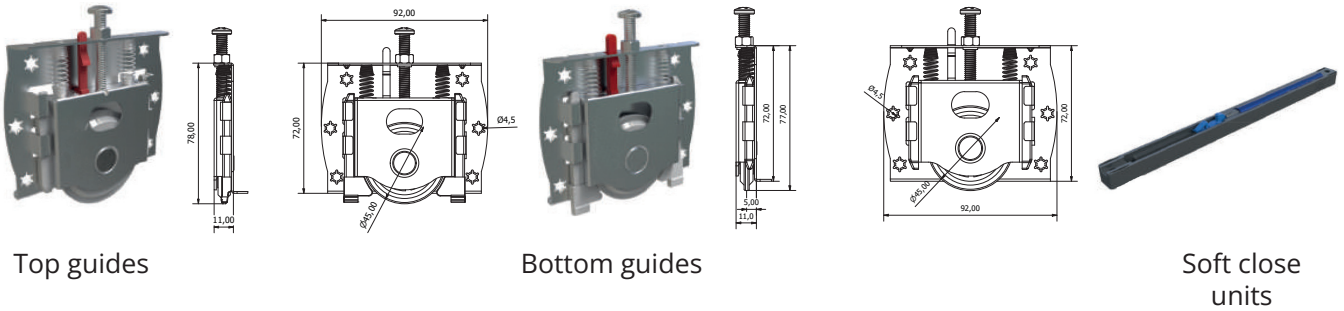


Soft close & soft open



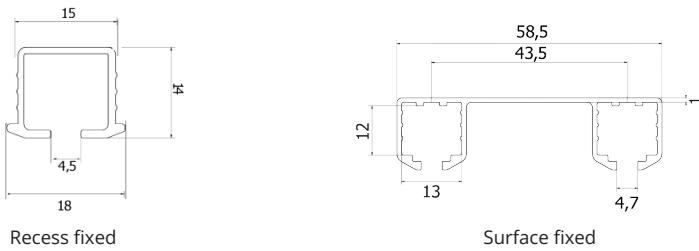
Suitable for interior applications

2Slide Components

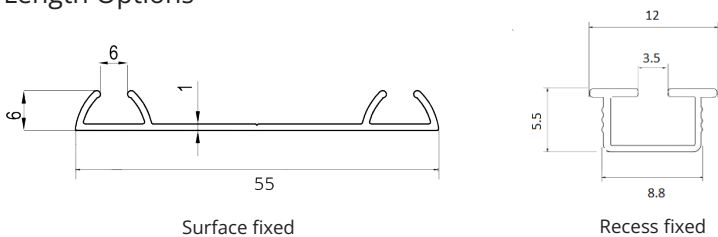


Fitting kit for one door includes: 2 x top guides, 2 x bottom guides and 2 x soft close units

Top Track 3 or 6 (2x 3M track) Metre Length - Options



Bottom Track 3 or 6 (2x 3M track) Metre Length Options



	Description	Code
Recessed Fixed	2 Door fitting kit with 3 metre track	2SR3000-2
	2 Door fitting kit with 6 metre track	2SR6000-2
	3 Door fitting kit with 3 metre track	2SR3000-3
	3 Door fitting kit with 6 metre track	2SR6000-3
	4 Door fitting kit with 3 metre track	2SR3000-4
	4 Door fitting kit with 6 metre track	2SR6000-4
Surface Fixed	2 Door fitting kit with 3 metre track	2SS3000-2
	2 Door fitting kit with 6 metre track	2SS6000-2
	3 Door fitting kit with 3 metre track	2SS3000-3
	3 Door fitting kit with 6 metre track	2SS6000-3
	4 Door fitting kit with 3 metre track	2SS3000-4
	4 Door fitting kit with 6 metre track	2SS6000-4



Specification

- Maximum door panel weight: 50kg
- Minimum door thickness for single and double track: 16mm
- Maximum door thickness for double track: 28mm
- Length of top and bottom track: 3 metre or 6 metre



Scan to view
the video

