



# ConcealX

Pocket sliding door system  
for single leaf doors

Maximum door panel weight of 50kg.

runners

Featuring high quality components

Pre-assembled System

Full technical support

Adjustable door ejection system

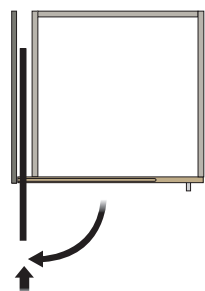
Smooth gliding action when operating

Concealed, sliding pivot pocket door system. Perfect for wardrobes, offices or kitchens.

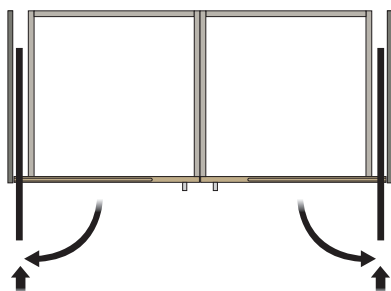
This system is ideal for apartments or situations where space is at a premium. To be used in single door applications.

- Pre-assembled system
- Quick and easy to install

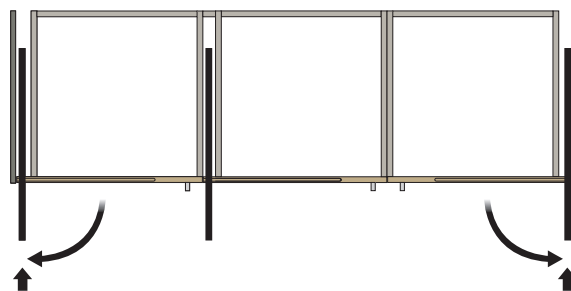
## Kits



One door system  
= 1 - kit



Two door system  
= 2 - kit



Three door system  
= 3 - kit



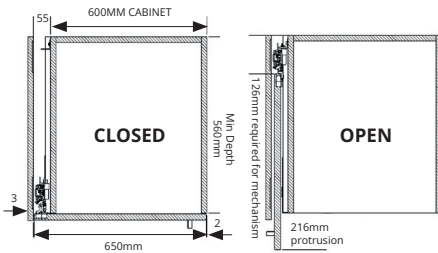


# Specification

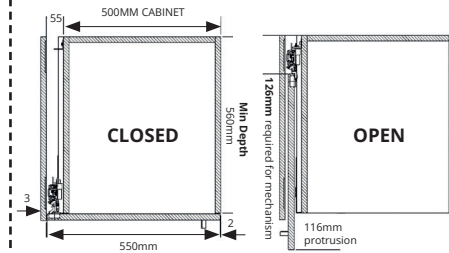
- **Door heights and weights:** 1200 - 1400mm = 30kg, 1990 - 2200mm = 30kg, 2200 - 2700mm = 50kg
- **Door thickness:** 18 - 30mm
- **Door width:** 200 - 700mm
- **Cabinet depth options:** depth 1 = 560mm, depth 2 = 665mm

## Examples

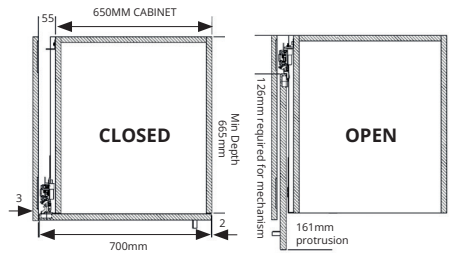
Depth 1/560mm:  
Using depth 1 kit



Depth 1/560mm:  
Using depth 1 kit



Depth 2/665mm:  
Example applications using depth 1 kit



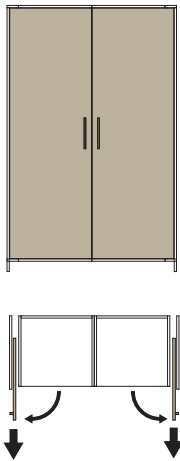
Depth 1 kit - 560mm	
Description	Code
1 Door kit 1200-1400mm	700-500
1 Door kit 1990-2200mm	700-501
1 Door kit 2200-2700mm	700-502

Depth 2 kit - 665mm	
Description	Code
1 Door kit 1200-1400mm	700-503
1 Door kit 1990-2200mm	700-504
1 Door kit 2200-2700mm	700-505

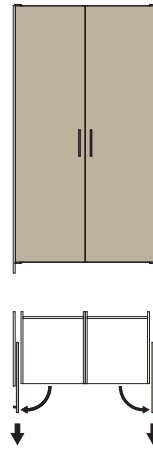
Accessories	
Description	Code
Side panel converter kit	700-604
Self closing mechanism	700-710
Central pocket connector kit	700-600

Can be used for inlay, overlay or built in applications as illustrated below in various solutions.

With inlay doors

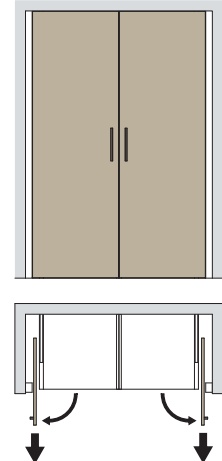


With overlay doors top and bottom



With built-in unit

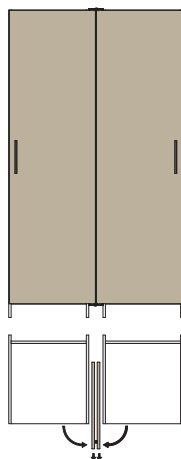
Can be mounted in wall recess.



With central pocket for two doors

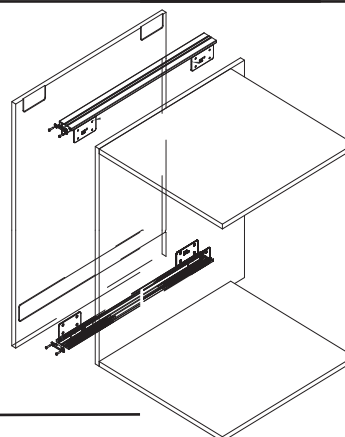
Use: side panel connector kit

Max panel thickness 25mm for this application.

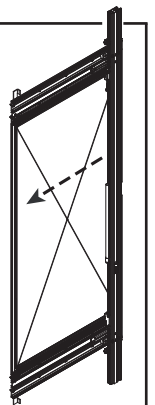


### Optional accessories

Side panel connector kit



Self closing mechanism





# ConcealX Folding

Pocket sliding door system  
for double leaf doors

Maximum door panel weight of 60kg.

runners

Featuring high quality components

Pre-assembled system

Full technical support

Adjustable door ejection system

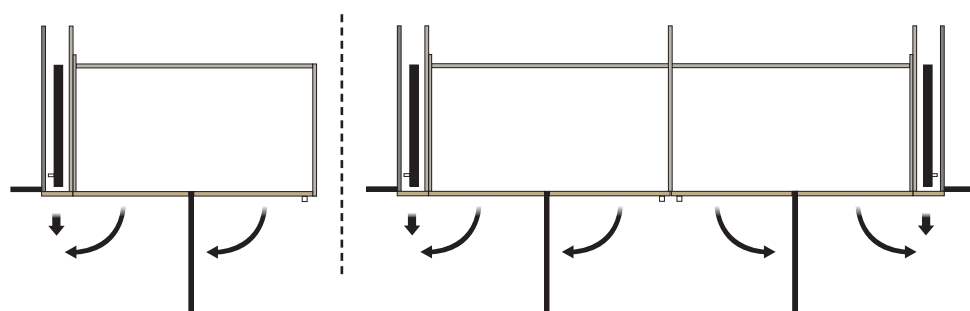
Smooth gliding action when operating

The ConcealX Folding system allows you to build wider units up to 2800mm wide with a pair of sliding doors folding into pockets on each side.

The ConcealX is fully soft closing and has a smooth gliding operation.

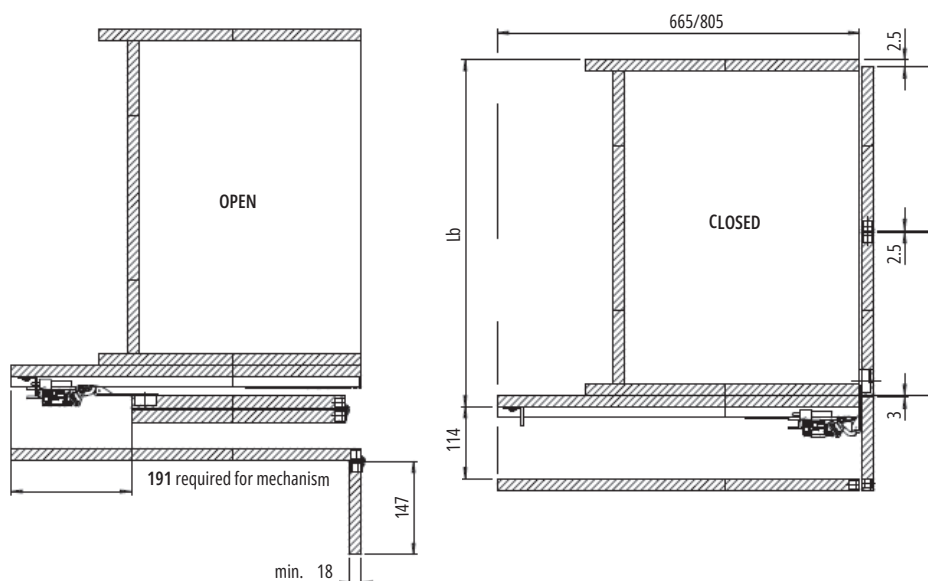
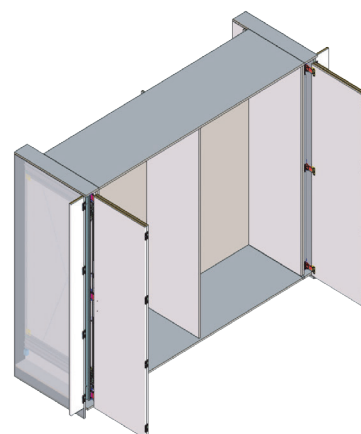
- Pre-assembled system
- Quick and easy to install

## Kits



One door system  
= 1 - kit

Two door system  
= 2 - kit



Depth 1 kit - 665mm min	
Description	Code
1 Pair folding kit 1990-2200	750-501

Depth 2 kit - 805mm min	
Description	Code
1 Pair folding kit 1200-1400	750-503
1 Pair folding kit 1990-2200	750-504
1 Pair folding kit 2200-2700	750-505



Scan to view  
the video

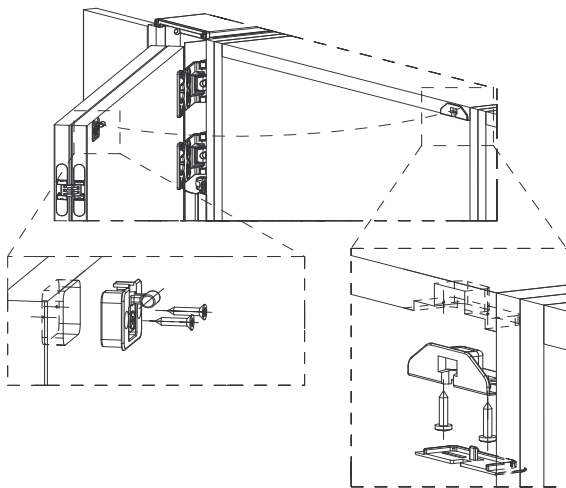


## Specification

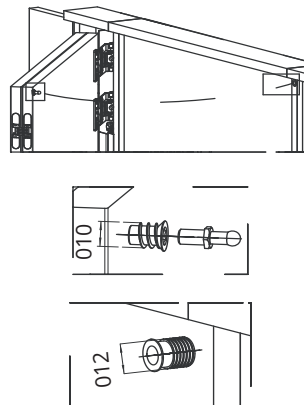
- **Door heights and weights:** 1200 - 1400mm = 30kg, 1990 - 2200mm = 60kg, 2200 - 2700mm = 60kg
- **Door thickness:** 18 - 30mm
- **Door width:** 200 - 700mm
- **Cabinet depth options:** depth 1 = 665mm, depth 2 = 805mm

## Optional accessories: Enhance your concealed sliding door system

Adjustable door support pin (optional)

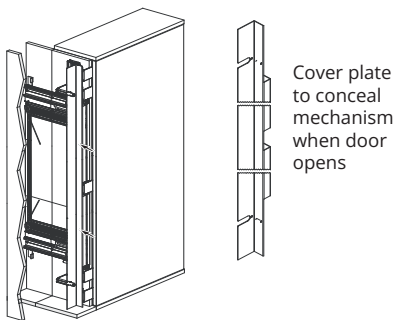


Door support pin (optional)

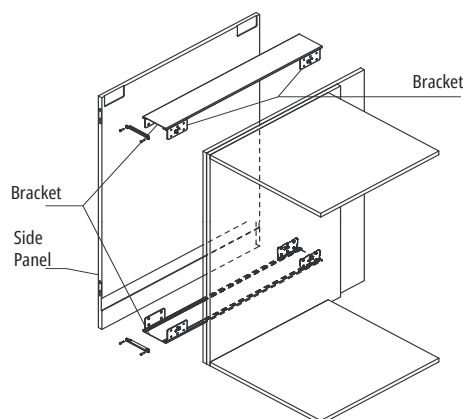


Accessories	
Description	Code
Adjustable support pin	750-510
Door support pin	750-511
Side panel connector	750-512
Magnet kit	750-513
Cover plate 1200-1400	750-514
Cover plate 1990-2200	750-515
Cover plate 2200-2700	750-516

Adjustable covering plate support pin (Optional)



Side panel connector (optional)



Set of 4 magnets for holding leaves together when open (optional)

