



# DuraFold

Folding cabinet/Wardrobe door system



**kg**

Suitable for doors up to 25kg (50kg for two panels).



**runners**

Featuring runners highest quality components



Full technical support



Inframe and overlay doors



Can be used with 2 or 2+2 doors



110 Degree opening - usage area

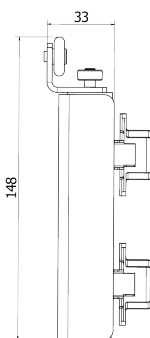
The DuraFold is a high quality bi-folding system, which is suitable for cabinet and wardrobe doors.

The DuraFold is a top rail solution with no bottom guide. Refined bearings make it a suitable option for larger door applications.

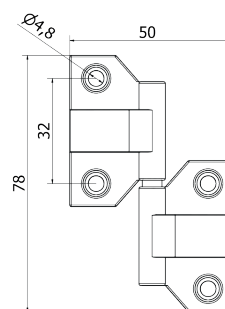
## DuraFold Components



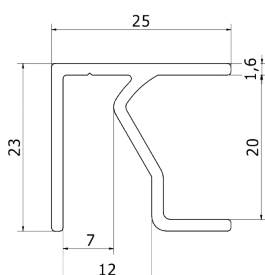
Top Rollers



Hinges



Top track profile  
1.2 Metre, 2.4 Metre and  
3.6 Metre options



\*4 Door fitting kit (2 x doors LH and 2 x doors right) includes: 8 x hinges, 1 x LH roller and 1 x RH roller

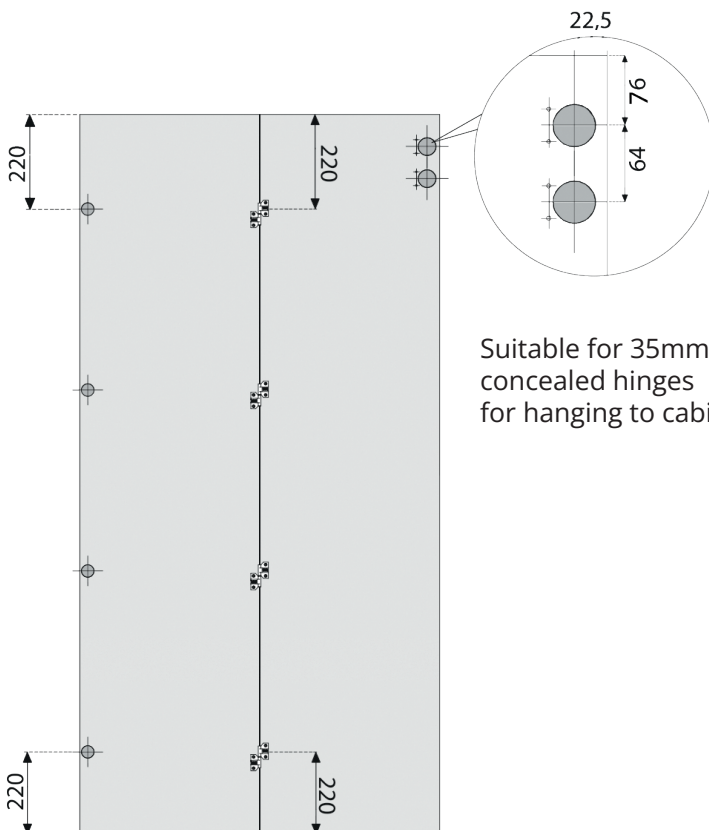
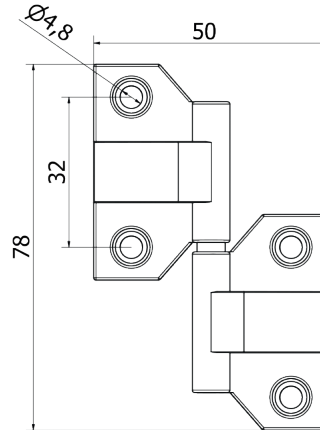
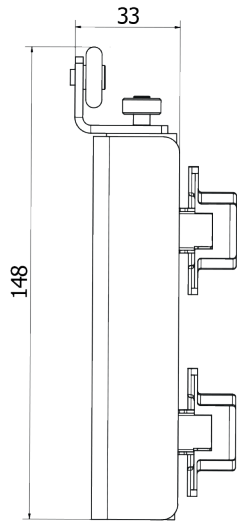
Description	Code
1.2 Metre top track satin anodised aluminium and fitting kit*	DF1200
2.4 Metre top track satin anodised aluminium and fitting kit*	DF2400
3.6 Metre top track satin anodised aluminium and fitting kit*	DF3600
Blum hinge soft close cliptop blumotion 110° full overlay (16-26mm door thickness)	CFE440
Blum hinge soft close cliptop blumotion 110° inset (16-26mm door thickness)	CFE442
Blum hinge clip mounting plate cruciform - 1-part adjustable c/w pre-mount screws & expando dowels 0mm	CFE407

\*No hinges included to connect first door to cabinet



## Specification

- Maximum panel weight: 25kg (50kg per 2 x panels)
- Door thickness: 16mm - 25mm
- Suitable panel widths: Up to 600mm
- For inset and overlay applications
- Maximum of 2 doors folding each side



Suitable for 35mm cup  
concealed hinges  
for hanging to cabinet.

