

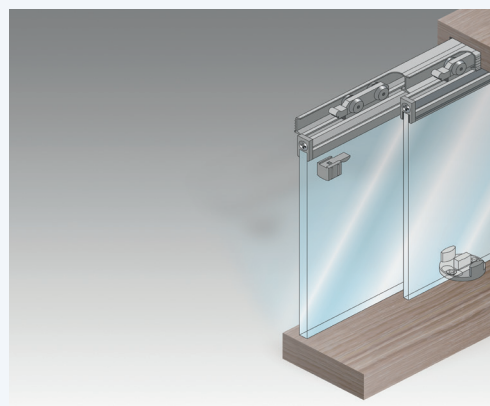
FurnGlass

Sliding door system

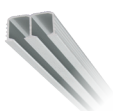
Featuring a flush and compact design, the FurnGlass is the ideal alternative for any of your sliding glass cabinet doors.

FurnGlass is designed for cabinets with glass doors weighing up to 15kg per panel.

The recessed track houses smooth gliding rollers which are connected to the slim-line door profile. FurnGlass is a double track, bypassing system enabling multiple glass panels to slide behind each other.



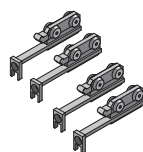
FurnGlass Components



Aluminium top track



Aluminium glass door profile



Top rollers



Stops



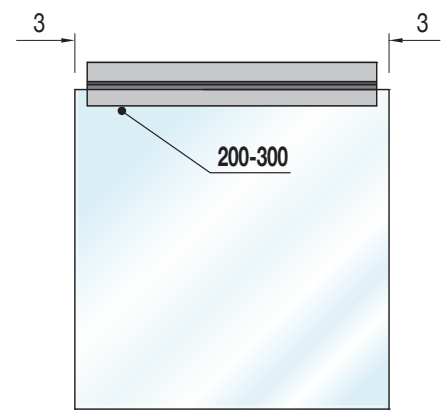
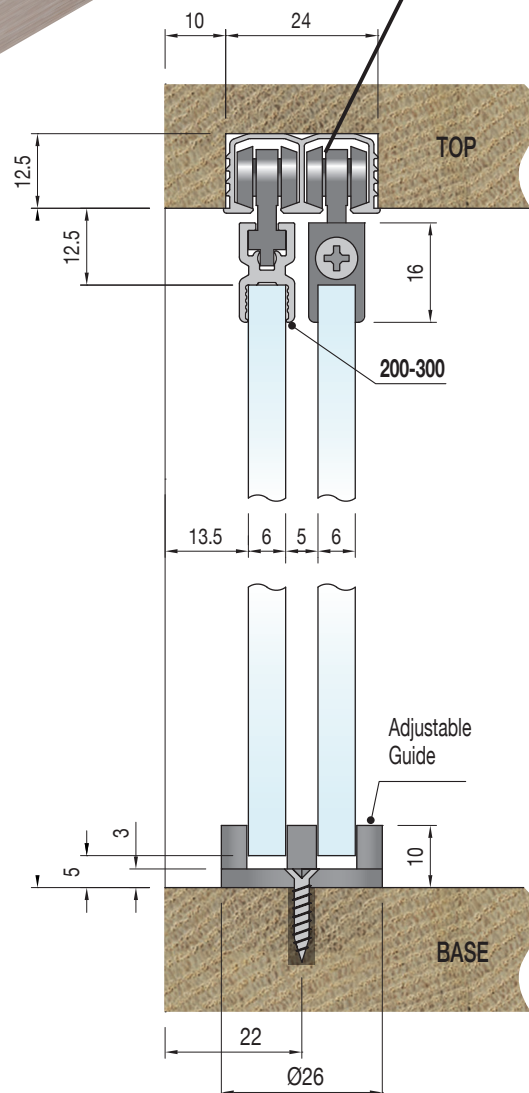
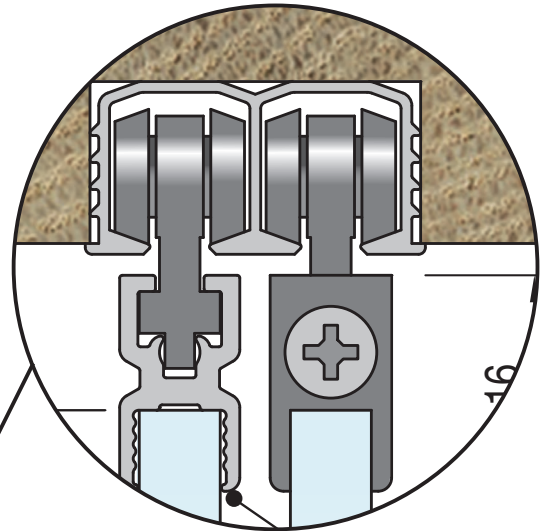
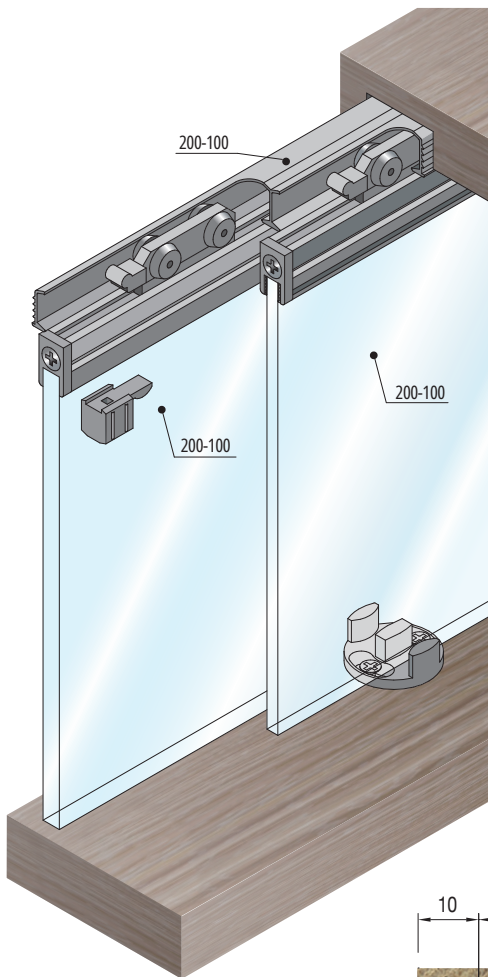
Bottom guide

Fitting kit For 2 glass panels includes: 4 x top rollers, 4 x door stops, 1 x bottom guide

	Description	Code
2 Panel fitting kit	1.5 Metre track	FG1500-2
	3 Metre track	FG3000-2
	4.5 Metre track	FG4500-2
	6 Metre track	FG6000-2
4 Panel fitting kit	1.5 Metre track	FG1500-4
	3 Metre track	FG3000-4
	4.5 Metre track	FG4500-4
	6 Metre track	FG6000-4
6 Panel fitting kit	1.5 Metre track	FG1500-6
	3 Metre track	FG3000-6
	4.5 Metre track	FG4500-6
	6 Metre track	FG6000-6

Specification

- Max panel weight: 15kg
- Glass panel thickness: 6mm



Top Profile Preparation