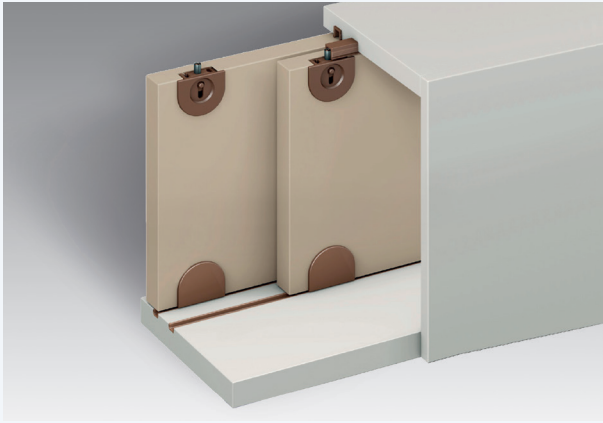


# Series Mini

## Cabinet sliding door system

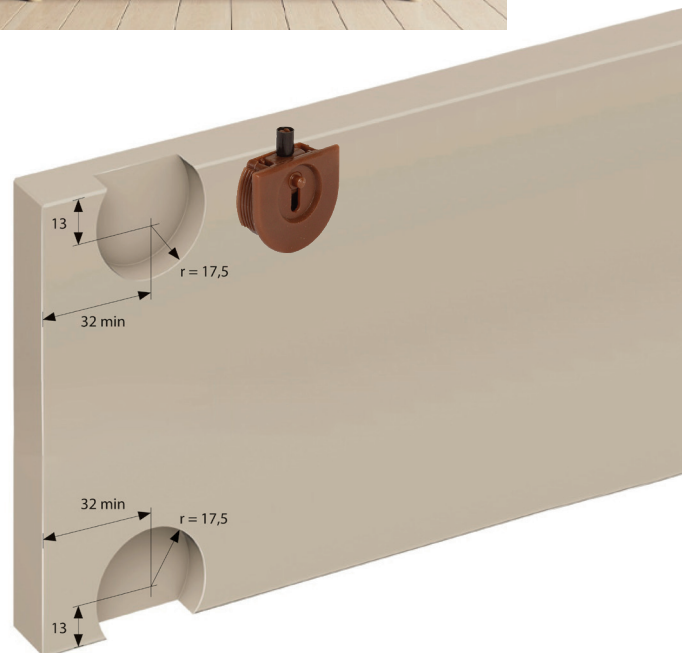
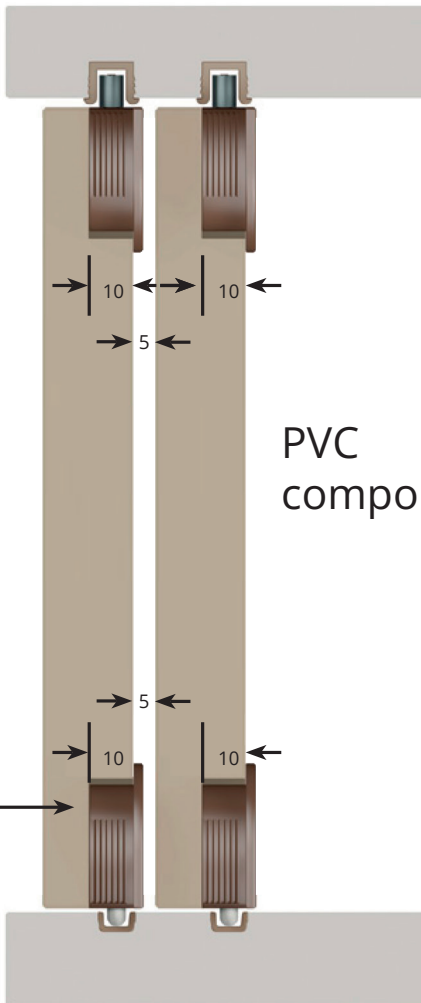


The Series Mini is a bottom rolling, small and durable sliding door system designed for cabinets, cupboard doors and domestic wardrobes.

Featuring a wide selection of rollers and different profiled tracks in white and brown PVC, Series Mini is a truly versatile and practical system.

Series Mini has multiple tracks that can be placed in front of each other to create bypassing doors.

- kg**  
Maximum door panel weight of 25kg.
- runners**  
Featuring high quality components
- Full technical support**
- Hassle free door solution**
- Suited to 14-44mm thick doors**
- Durable sliding system**



## Fitting kits

Fitting kit for 1 door includes:  
 2x Series mini bottom guide roller  
 2x Series mini top guide roller  
 1x Series mini bottom track PVC guide channel  
 1x Series mini top track PVC guide channel

	Description	Code
Brown	Fitting kit 1 door - 3 Metre track	SMB-1
	Fitting kit 2 door - 3 Metre track	SMB-2
	Fitting kit 3 door - 6 (2 x 3M) Metre track	SMB-3
White	Fitting kit 1 door - 3 Metre track	SMW-1
	Fitting kit 2 door - 3 Metre track	SMW-2
	Fitting kit 3 door - 6 (2 x 3M) Metre track	SMW-3

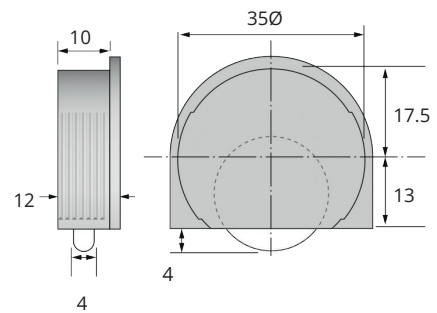
## PVC components

Weights shown are overall door weights

### Bottom roller



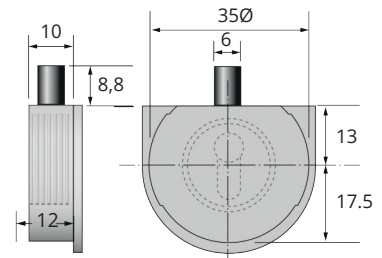
Description	Code
Ø 18mm Nylon wheel white	00-731W
Ø 18mm Nylon wheel brown	00-731B



### Upper retractable guide



Description	Code
PVC Upper retractable guide white	00-730W
PVC Upper retractable guide brown	00-730B



### Bottom guide channel

Actual size



Description	Code
PVC bottom guide channel 3 metre white	00-232W
PVC bottom guide channel guide 3 metre brown	00-232B

### Top guide channel

Actual size



Description	Code
PVC top guide channel 3 metre white	00-226W
PVC top guide channel 3 metre brown	00-226B