

Tommaslide Glass

Glass panel straight sliding system



Tommaslide Glass is suitable for 8mm, 10mm and 12mm glass thickness. Featuring a smooth rolling system that is suitable for a frameless glass panels.

The Tommaslide can be Soffit fixed to your door frame or Face fixed to the side of your wall. All Tommaslide rollers are tested to 100,000 cycles and come with a 10 year warranty.



kg

Maximum door panel weight of 100kg.



runners

Featuring high quality components



Smooth gliding action when operating



Supports 8mm, 10mm and 12mm glass thickness

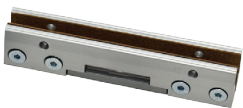


Tested to 100,000 cycles



Suitable for frameless glass panels

Tommaslide glass door Components



2 x Roller brackets



1 x Bottom guide

Roller brackets and bottom guide code: PDGDK



2 x Four wheel hangers
Code: TS100H

2 x Bolts and nuts

2 x Track stops

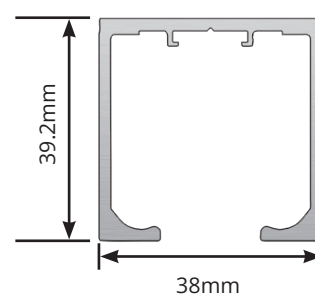
Soft close Optional extra

Description	Code
0-20kg Doors	TS100SC0-20
20-40kg Doors	TS100SC20-40
40-60kg Doors	TS100SC40-60
60-80kg Doors	TS100SC60-80



Top track Satin aluminium

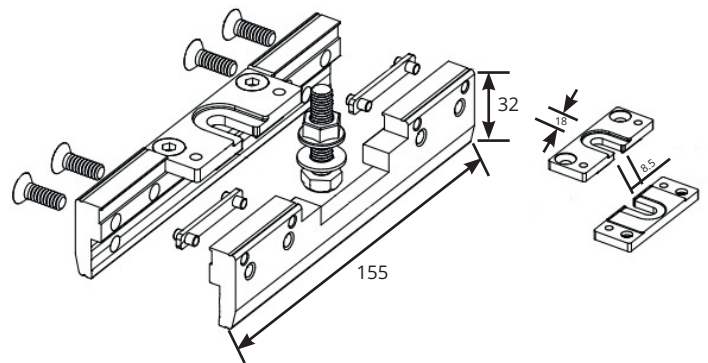
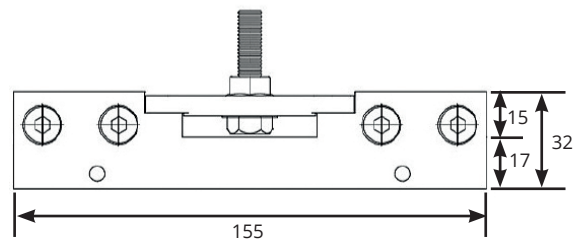
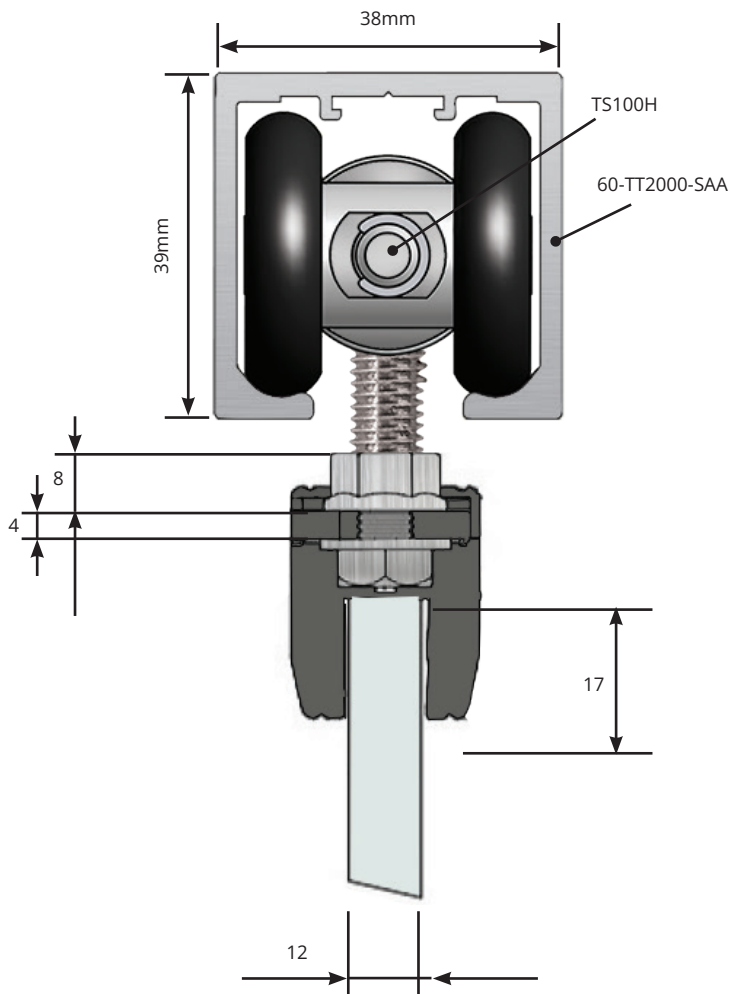
Length	Code
2 Metre	60-TT2000-SAA
3 Metre	60-TT3000-SAA
4 Metre	60-TT4000-SAA
6 Metre	60-TT6000-SAA



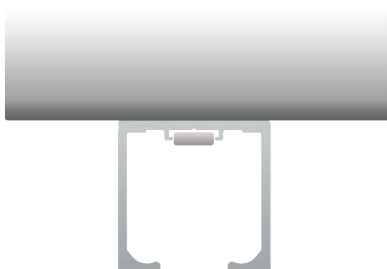
Tommaslide Glass Bracket

Specification

- Suited to frameless glass panels
- Maximum door weight with soft close: 80kg
- Glass panel thickness: Suitable for 8mm, 10mm and 12mm glass
- Minimum panel width with soft close: 400mm



Soffit fixing



Face fixing

