



Tommafold Interior

Folding door system

Tommafold Interior has a compact top track and a 60kg weight capacity per panel. The hanger tyres are made of polymer for quiet and smooth movement.

Tommafold Interior is ideal used in homes, offices and hotels to create room divides that are simple to install and easy to use. The stylish set of hinges and handle are available in a satin stainless finish.

Tommafold Interior is not only used by house builders, but also specified by architects planning for large scale commercial and residential fit outs.



Suitable for doors up to 60kg.



Featuring high quality components



Full technical support



Max panel height 3.0m



Suitable for multiple wooden panels

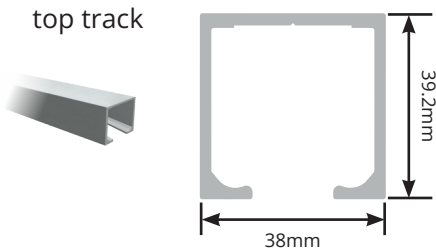


Minimum panel thickness 30mm

- Top hung bi-folding door system
- Suited to interior applications
- Smooth rolling polymer tyres tested to 100,000 cycles - 10 year Roller Warranty
- Hinges tested to 200,000 cycles
- Max door weight with bottom track: 60kg
- Max door weight without bottom track: 40kg
- Max door height: 3000mm

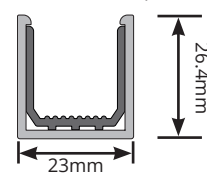
Tommafold Interior Components

Aluminium top track



Length	Code
2 Metre	60-TT2000-SAA
3 Metre	60-TT3000-SAA
4 Metre	60-TT4000-SAA
6 Metre	60-TT6000-SAA

Bottom track (optional)



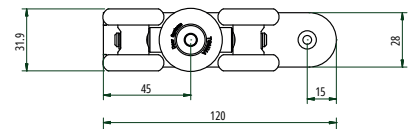
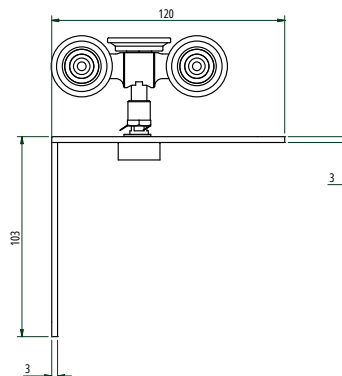
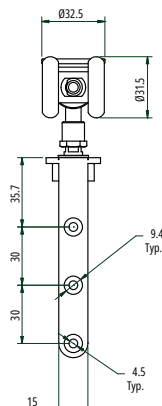
Concealed with black PVC insert

Length	Code
2 Metre	62-BT2000-SAA
3 Metre	62-BT3000-SAA
4 Metre	62-BT4000-SAA
6 Metre	62-BT6000-SAA

4 Wheel hanger

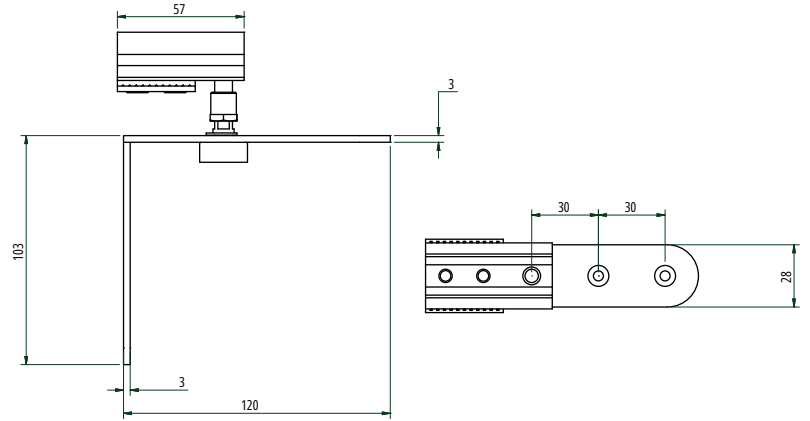
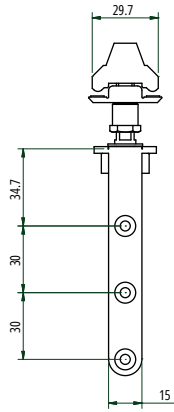
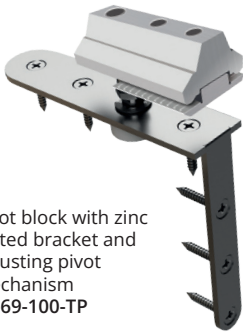


Machined polymer tyres with zinc plated bracket and adjusting mechanism
10-69-460-TW



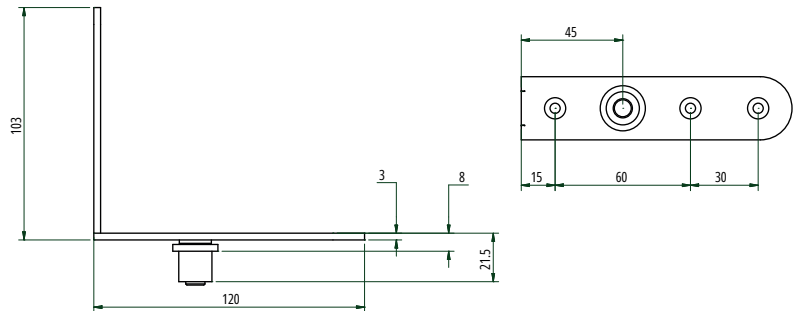
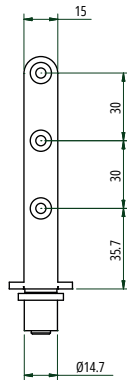
Top pivot

Pivot block with zinc plated bracket and adjusting pivot mechanism
10-69-100-TP



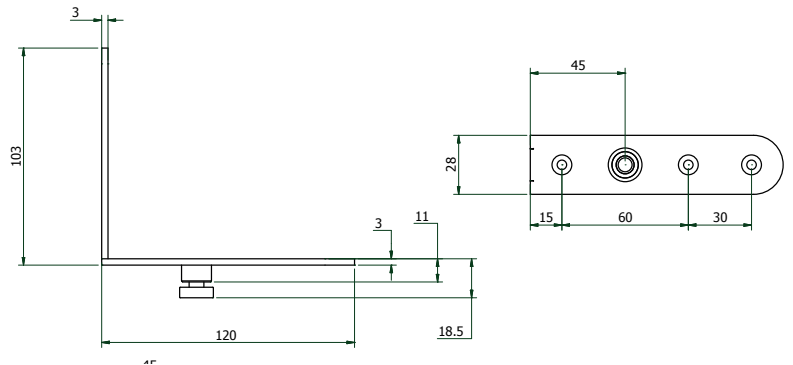
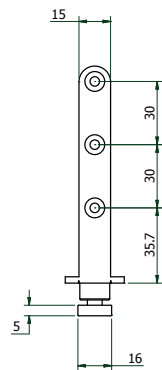
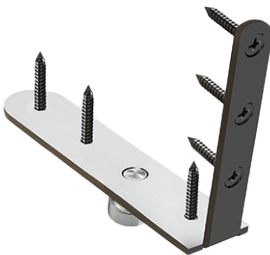
Bottom pivot

Zinc plated bracket and plastic bush for bottom mounting recess location
10-69-100-RBP



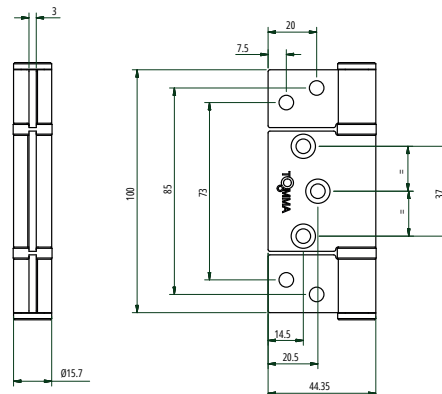
Bottom guide (optional)

Zinc plated bracket and precision bearing guide wheel
10-69-100-BG



Hinge set without handle

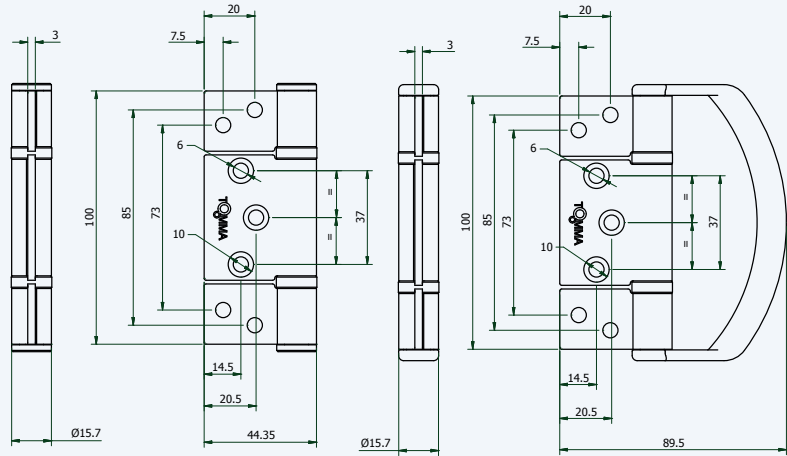
Part No.	Size	Finish
60-300-SS	200mm	Satin Stainless



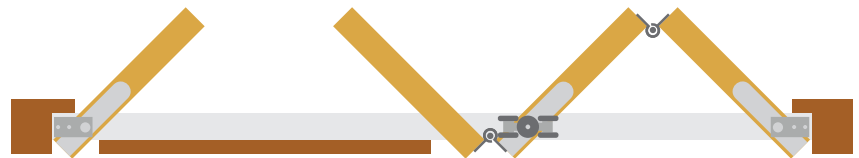
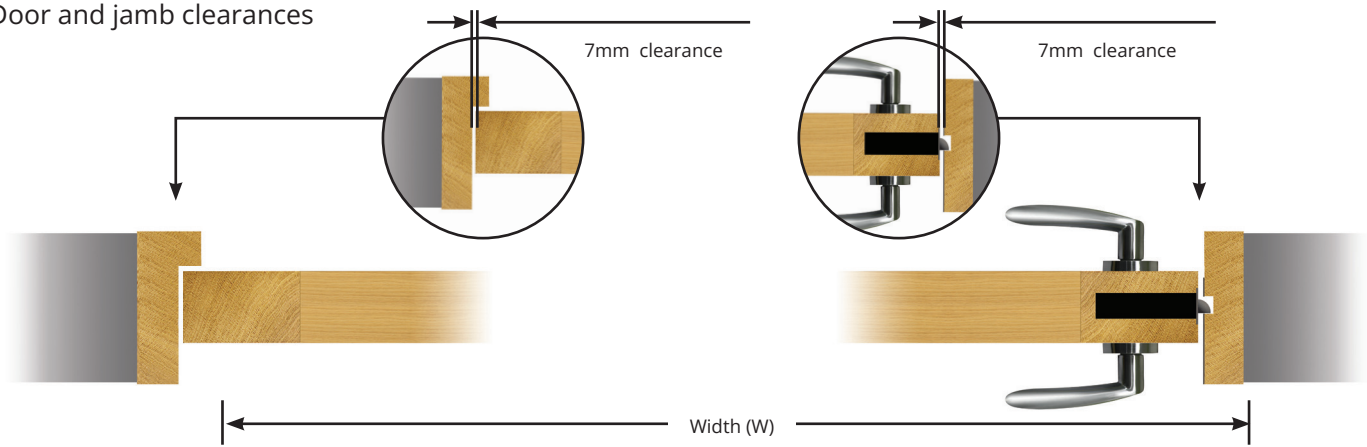
Tommafold Interior specification

Hinge set with handle

Part No.	Size	Finish
60-320-SS	200mm	Satin Stainless



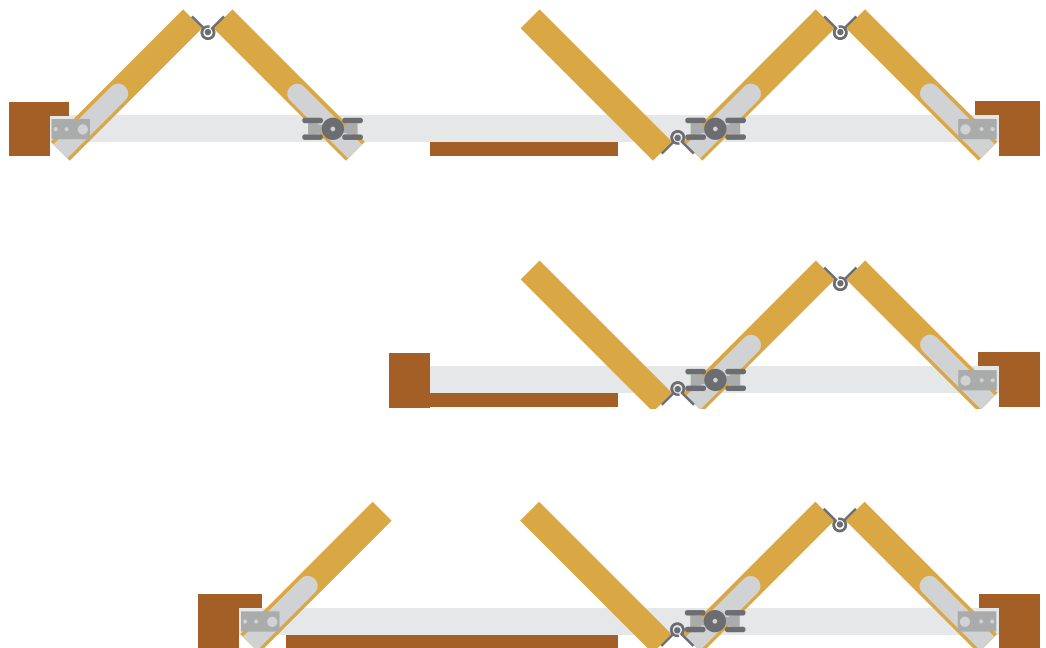
Door and jamb clearances



Fitting a stop

(Typical layouts)

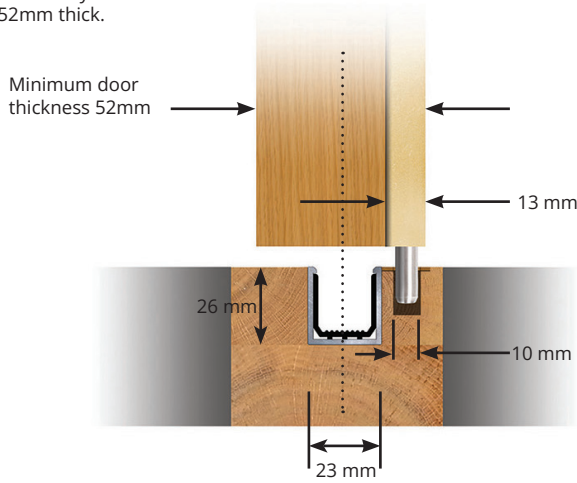
Due to outswing when sliding the doors open, a door stop cannot be fitted along the entire length of the frame head.



Accessories

Flush bolts

Lever action flush bolts can be used on your doors when they are a minimum of 52mm thick.

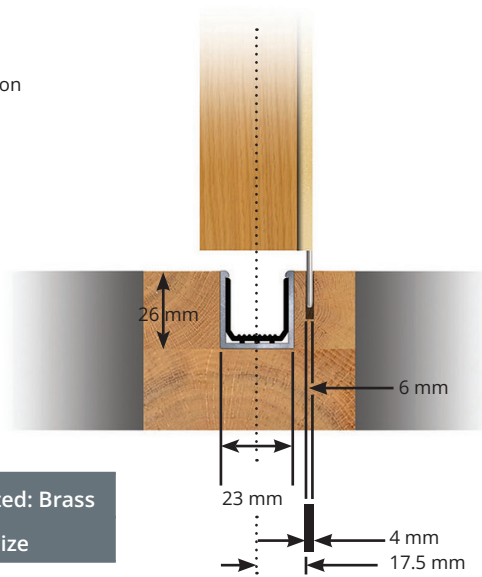


A

Flush bolt illustrated: Satin	
Part No.	Size
AID304	164mm x 16mm
AID305	203mm x 16mm
AID306	253mm x 16mm

Surface bolts

Surface bolts can be used on doors with a minimum thickness of 30mm



B

Surface bolt illustrated: Brass	
Part No.	Size
AID408	102mm
AID406	150mm
AID407	200mm
AID409	254mm

* Please note fittings can be surface mounted

