



# Tommaslide 100

## Straight sliding door system



Maximum door panel weight of 100kg.



Featuring high quality components



Full technical support



Soffit fixed or face fixed



Smooth gliding action when operating



FastFix or Full Height brackets

## 10 Year warranty

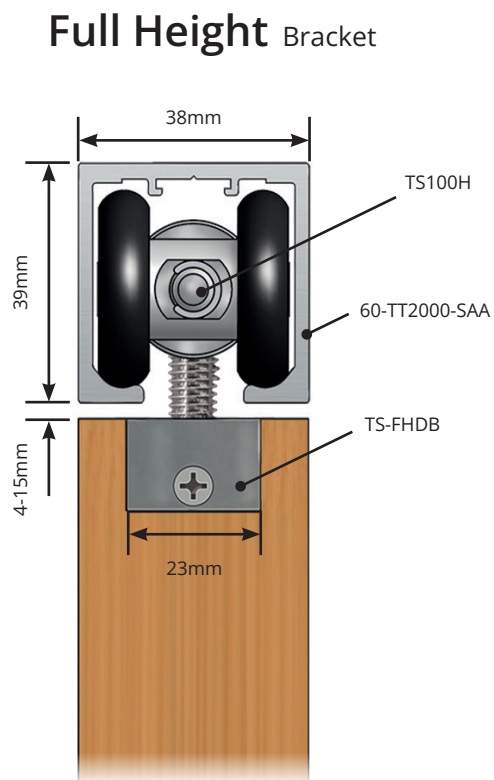
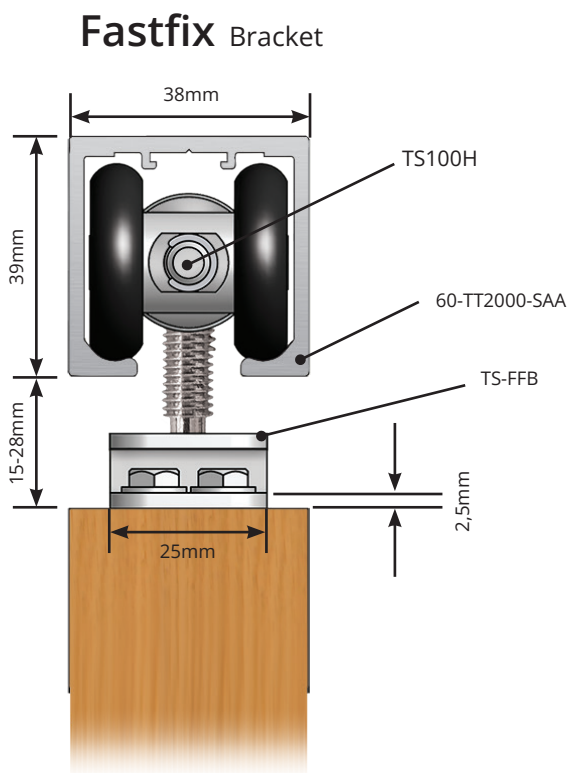
On all Tommaslide rollers

Tommaslide 100 is a modern, top hung sliding door system that can be operated with an effortless touch, producing a consistent smooth operation throughout the product lifetime for panels weighing up to 100kg.

The Tommaslide 100 can be Soffit fixed to your door frame or Face fixed to the side of your wall. All Tommaslide rollers are tested to 100,000 cycles and come with a 10 year warranty.

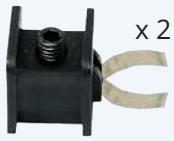
- Maximum door weight without soft close: 100kg
- Maximum door weight with soft close: 80kg
- Minimum panel width with soft close and open: 762mm
- Minimum panel width with soft close: 370mm
- Minimum door thickness: 30mm

### Door bracket choices



## Fastfix without soft close Kit components

High impact door stop



x 2

Code: TS100DS

4 Wheeled door hanger



x 2

Code: TS100H

FastFix bracket



x 2

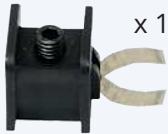
Code: TS-FFB

Kit Code	Stops	Hangers	FastFix brackets
TS100FFD/0	2 x TS100DS	2 x TS100H	2 x TS-FFB

Screws are included with all kits - TS-FFB-SC | Spanner is also included - TS-SPAN-PRES

## Fastfix soft close Kit components

High impact door stop



x 1

Code: TS100DS

4 Wheeled door hanger



x 1

Code: TS100H

FastFix bracket



x 2

Code: TS-FFB

Soft close



x 1

Trigger plate  
TSSCT

Code: TS100SC-\_\_

Door weight	Kit code	Stops	Hangers	Bracket	Soft close	
0-20kg	TS100FFD/1-20	Includes	1 x TS100DS	1 x TS100H	2 x TS-FFB	1 x TS100SC0-20
20-40kg	TS100FFD/1-40		1 x TS100DS	1 x TS100H	2 x TS-FFB	1 x TS100SC20-40
40-60kg	TS100FFD/1-60		1 x TS100DS	1 x TS100H	2 x TS-FFB	1 x TS100SC40-60
60-80kg	TS100FFD/1-80		1 x TS100DS	1 x TS100H	2 x TS-FFB	1 x TS100SC60-80

Screws are included with all kits - TS-FFB-SC | Spanner is also included - TS-SPAN-PRES

## Fastfix soft close and open Kit components

FastFix bracket



x 2

Code: TS-FFB

Soft close



x 2

Trigger plate  
TSSCT

Code: TS100SC-\_\_

Trigger plate



x 2

Code: TSSCT

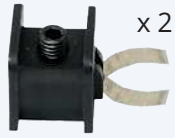
Door weight	Kit code	Bracket	Soft close
0-20kg	TS100FFD/2-20	Includes	2 x TS100SC0-20
20-40kg	TS100FFD/2-40		2 x TS100SC20-40
40-60kg	TS100FFD/2-60		2 x TS100SC40-60
60-80kg	TS100FFD/2-80		2 x TS100SC60-80

Screws are included with all kits - TS-FFB-SC | Spanner is also included - TS-SPAN-PRES

# Tommaslide 100 specification

## Full Height without soft close Kit components

High impact door stop



Code: TS100DS

4 Wheeled door hanger



Code: TS100H

Full height bracket



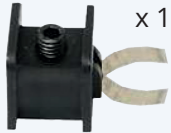
Code: TS-FHDB

Kit Code	Stops	Hangers	Full height brackets
TS100FHD/0	2 x TS100DS	2 x TS100H	2 x TS-FHDB

Screws are included with all kits - TS-FFB-SC | Spanner is also included - TS-SPAN-PRES

## Full Height soft close Kit components

High impact door stop



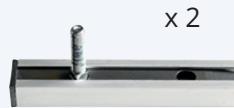
Code: TS100DS

4 Wheeled door hanger



Code: TS100H

Full Height bracket



Code: TS-FFB

Soft close



Code: TS100SC\_\_

Door weight	Kit code		Stops	Hangers	Bracket	Soft close
0-20kg	TS100FHD/1-20	Includes	1 x TS100DS	1 x TS100H	2 x TS-FHDB	1 x TS100SC0-20
20-40kg	TS100FHD/1-40		1 x TS100DS	1 x TS100H	2 x TS-FHDB	1 x TS100SC20-40
40-60kg	TS100FHD/1-60		1 x TS100DS	1 x TS100H	2 x TS-FHDB	1 x TS100SC40-60
60-80kg	TS100FHD/1-80		1 x TS100DS	1 x TS100H	2 x TS-FHDB	1 x TS100SC60-80

Screws are included in kit - TS-FFB-SC | Spanner is also included - TS-SPAN-PRES

## Full Height soft close and open Kit components

Fast Height bracket



Code: TS-FFB

Soft close



Code: TS100SC\_\_

Trigger plate



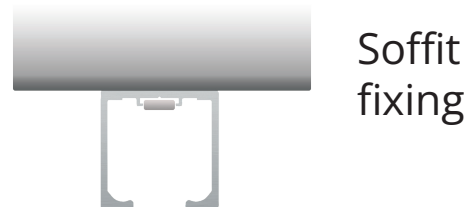
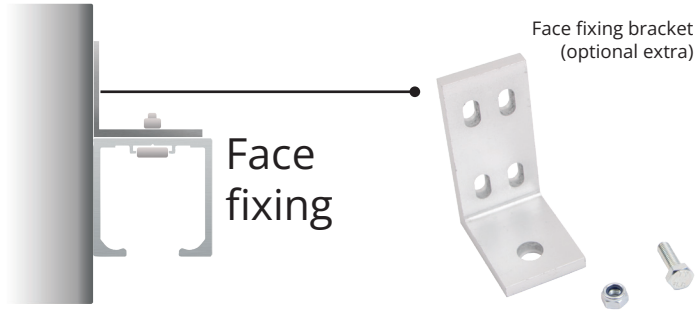
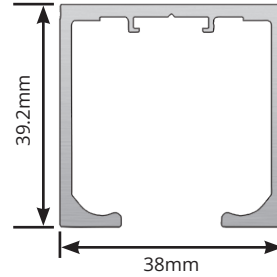
Code: TSSCT

Door weight	Kit code		Bracket	Soft Close
0-20kg	TS100FHD/2-20	Includes	2 x TS-FHDB	2 x TS100SC0-20
20-40kg	TS100FHD/2-40		2 x TS-FHDB	2 x TS100SC20-40
40-60kg	TS100FHD/2-60		2 x TS-FHDB	2 x TS100SC40-60
60-80kg	TS100FHD/2-80		2 x TS-FHDB	2 x TS100SC60-80

Screws are included in kit - TS-FFB-SC | Spanner is also included - TS-SPAN-PRES

## Top track Satin aluminium

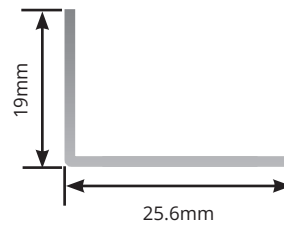
Length	Code
2 Metre	60-TT2000-SAA
3 Metre	60-TT3000-SAA
4 Metre	60-TT4000-SAA
6 Metre	60-TT6000-SAA



Code: TSFFB

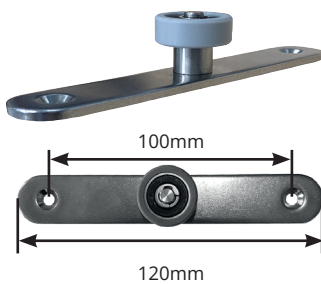
## Bottom track Satin Aluminium

Length	Code
2 Metre	10-60-BT2000-CA
3 Metre	10-60-BT3000-CA
4 Metre	10-60-BT4000-CA
6 Metre	10-60-BT6000-CA



## Bottom guides

Single bearing guide



Code: TS-SBG

Single guide



Code: TS-NG

Floor guide



Code: TS-FG  
To suit doors between  
30 & 60mm

