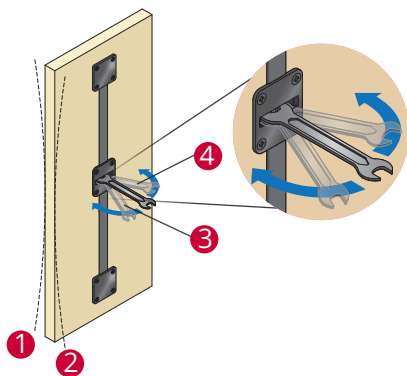
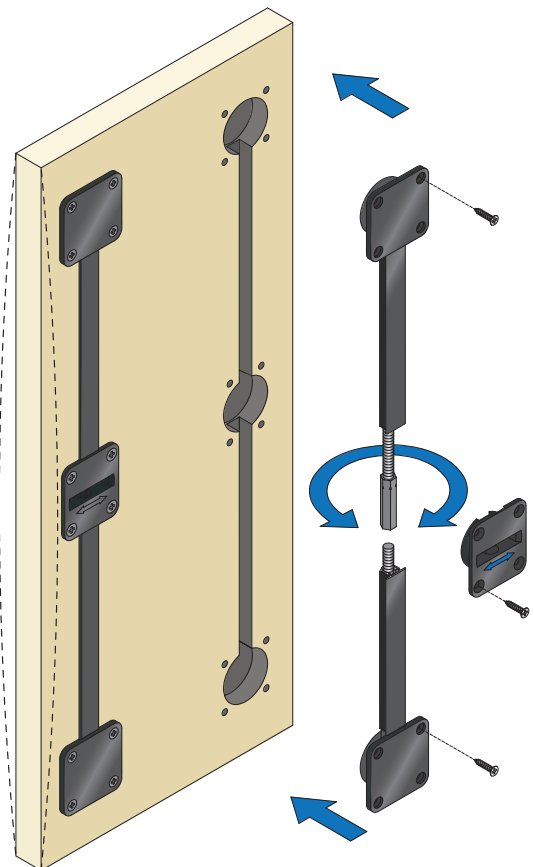
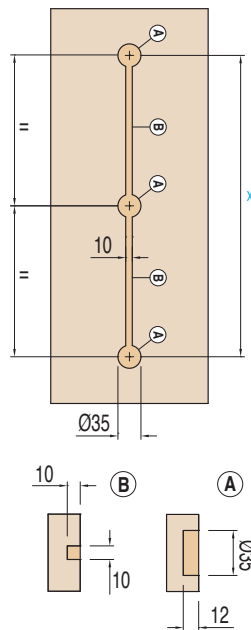


Our door straightener is easily fitted and adjusted centrally with a spanner. 3 x standard 35mm hinge holes linked with 10mm grooves is the only machining required. The threaded bars are concealed with push fit black plastic covers.

We recommend one straightening bar for doors up to maximum width of 750mm. For wider doors use 2 straightening bars per door.

Code
135538



How to adjust the door straightener

If the door is in the **1** position, turn the hexagonal nut in the **3** direction in order to straighten the door, viceversa, turn the hexagonal nut in the opposite **4** direction to restore the verticality of the door from position **2**.

X = 2240mm outer bore centre distance for shorter doors simply cut threaded rods.